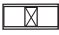


Safety distances

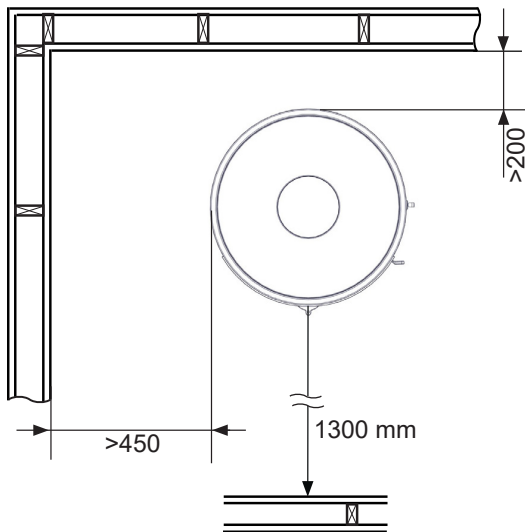
SALZBURG R, SALZBURG R +1, SALZBURG R EXTENSION BASE

 Nordpeis

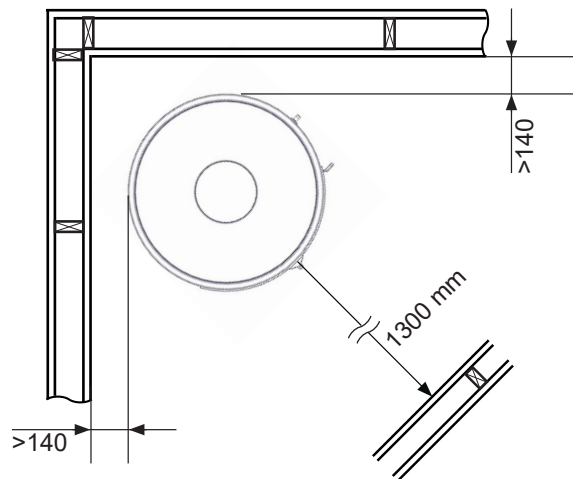
 = Brannmur/ Brandmur/ Firewall/ Palomuri/ Hitzenschutzwand/ Mur pare feu

 = Brennbar materiale/ Brännbart material/ Combustible material/ Palavasta materiaalista/ Brennbares Material/ Matières combustibles

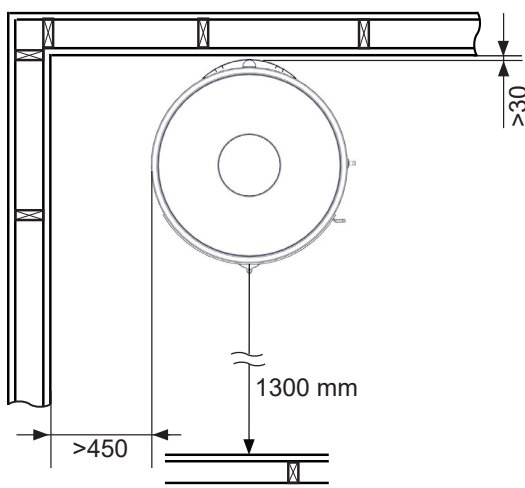
A.



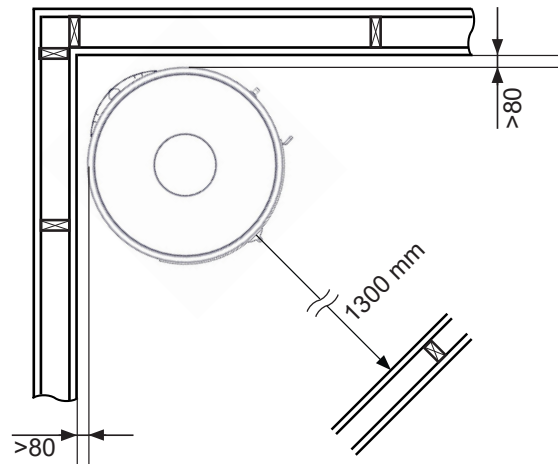
B.



C. (*)



D. (*)



**Salzburg R / Salzburg R+1
Salzburg R Extension Base**


(*) NO - med varmesjold
GB - with heat shield
FI - säteilysuojan kanssa
SE - med värmesköld

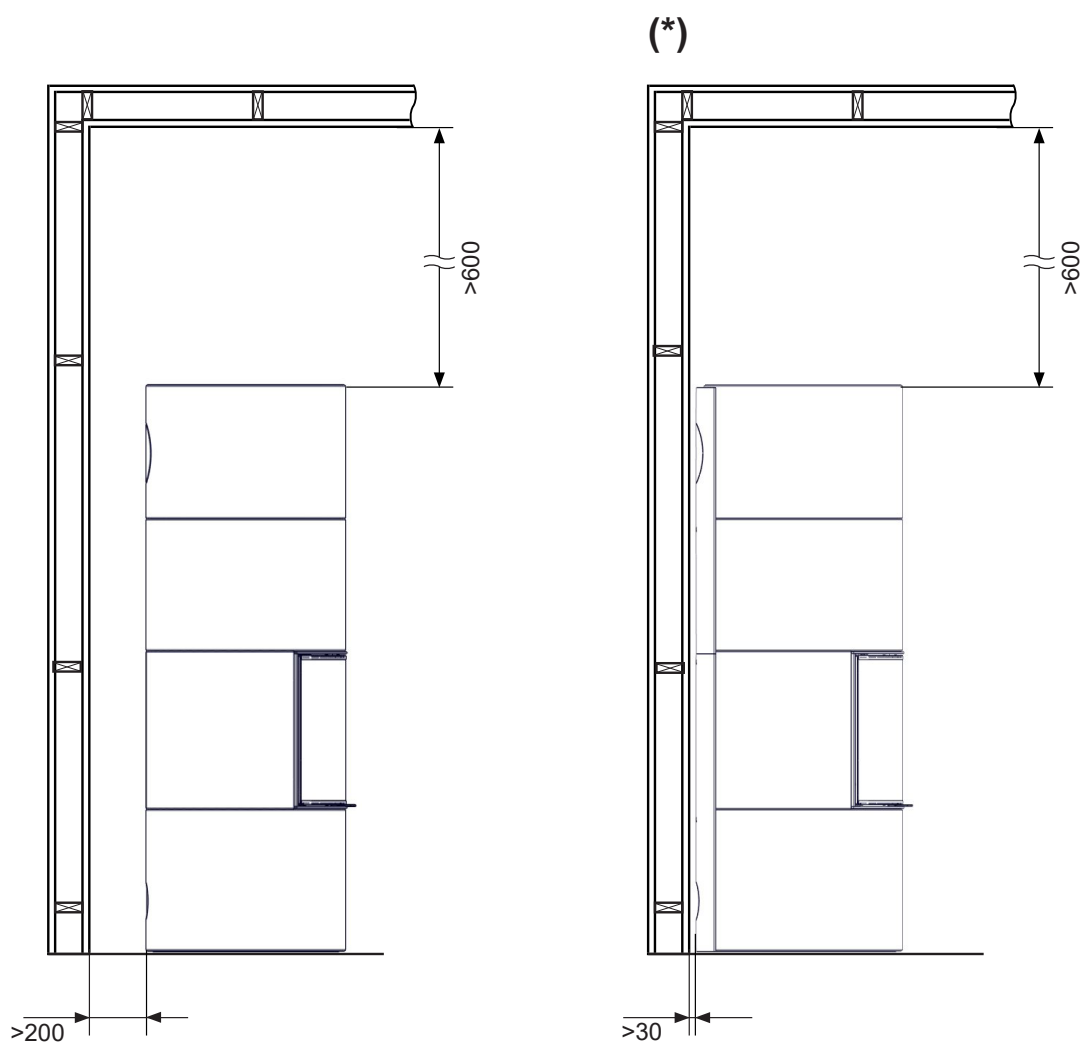
Safety distances

SALZBURG R, SALZBURG R +1, SALZBURG R EXTENSION BASE

 Nordpeis

 = Brannmur/ Brandmur/ Firewall/ Palomuri/ Hitzenschutzwand/ Mur pare feu

 = Brennbart materiale/ Brännbart material/ Combustible material/ Tulenarka materiaali/ Brennbares Material/ Matières combustibles




Safety distances

SALZBURG R, SALZBURG R +1, SALZBURG R EXTENSION BASE

 Nordpeis

 = Brannmur/ Brandmur/ Firewall/ Palomuri/ Hitzenschutzwand/ Mur pare feu

 = Brennbar materiale/ Brännbart material/ Combustible material/ Tulenarka materiaali/ Brennbarem Material/ Matières combustibles

